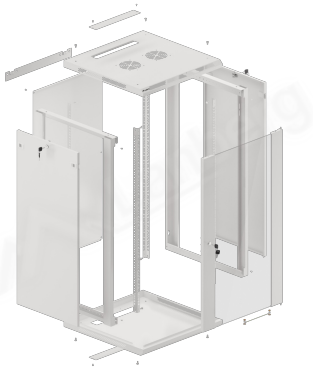




**WF01-6622-10S**

# RACK CABINET 19" WALL-MOUNT



## PRODUCT FEATURES:

- Made of high quality rolled steel
- Designed for self-assembly (FLAT PACK)
- Equipped with numbered mounting rails
- Has the ability to mount optional wheels
- Included wall mounting bracket
- Cable entry panel: top and bottom

## PRODUCT SPECIFICATION:

|                                |  |
|--------------------------------|--|
| Type of cabinet                | Wall mount   |
| Size                           | 19"  |
| ICT Height                     | 22 U   |
| Assembly type                  | Self-assembly  |
| Weatherproof rating            | IP20   |
| Working depth                  | 529,5 mm   |
| Standard                       | ANSI/EIA RS-310-D, DIN 41491/PART 1, DIN 41494/PART 7, ETSI, IEC297-2:1982                                 |
| Maximum static load            | 60 kg  |
| Front door types               | Temper glass   |
| Slot amount for fans           | 2  |
| Colour                         | Gray   |
| Front door thickness           | 5 mm   |
| Upper & lower panel thickness  | 1,2 mm   |
| Side panel thickness           | 1 mm   |
| Mounting rails thickness       | 1,5 mm   |
| Other elements sheet thickness | 1,2 mm   |
| Depth                          | 600 mm   |
| Weight                         | 35 kg  |
| Included Accessories           | User guide, Grounding cable, M6 screws, Mounting bracket, Front lock, Side locks, Set of assembly elements |

